

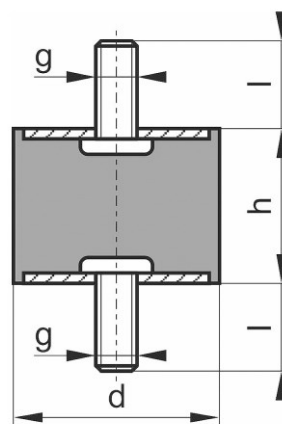
rubber-metal
bearings



rubber-metal bearing

type A

outer thread on both sides



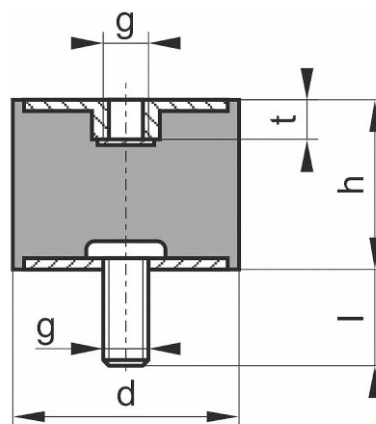
type		d	h	g x l	shore hardness
description	article number	mm	mm	mm	±5 shore
type A 4x6	5001	4	6	M2x6	57
type A 6x7	5004	6	7	M3x6	57
type A 8x8	5007	8	8	M3x6	57
type A 10x10	5010	10	10	M4x10	57
type A 15x8	5014	15	8	M4x10	57
type A 15x15	5018	15	15	M4x13	57
type A 15x20	5020	15	20	M4x13	57
type A 18x18,5	5023	18	8,5	M6x16	57
type A 20x15	5026	20	15	M6x15	57
type A 20x20	5029	20	20	M6x15	57
type A 20x25	5032	20	25	M6x15	57
type A 25x10	5034	25	10	M6x18	57
type A 25x15	5037	25	15	M6x18	57
type A 25x20	5039	25	20	M6x18	57
type A 25x30	5042	25	30	M6x18	57
type A 30x15	5045	30	15	M8x20	57
type A 30x20	5048	30	20	M8x20	57
type A 30x30	5051	30	30	M8x20	57
type A 40x30	5054	40	30	M8x23	57
type A 40x40	5057	40	40	M8x23	57
type A 50x20	5060	50	20	M10x28	57
type A 50x30	5063	50	30	M10x28	57
type A 50x40	5066	40	60	M10x28	57
type A 50x45	5069	50	45	M10x28	57
type A 50x50	5072	50	50	M10x28	57
type A 70x45	5074	70	45	M10x30	57
type A 75x25	5076	75	25	M12x37	57
type A 75x40	5079	75	40	M12x37	57
type A 75x50	5082	75	50	M12x37	57
type A 75x55	5085	75	55	M12x37	57
type A 100x55	5090	100	55	M16x41	57
type A 100x60	5093	100	60	M16x36	57
type A 100x75	5094	100	75	M16x45	57
type A 125x55	5095	125	55	M16x46	57
type A 125x75	5099	125	75	M16x45	57
type A 150x60	5100	150	60	M16x41	57
type A 150x75	5101	150	75	M16x46	57

sample table in 57 shore, zinc-galvanized version - data on pressure-/ thrust load on request

rubber-metal bearing

type B

outer-/inner thread



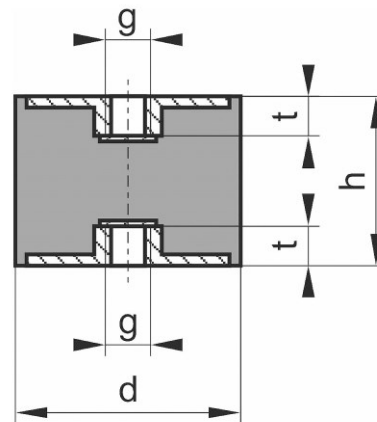
type					
	d	h	g x l	shore hardness	
description	article number	mm	mm	mm	±5 shore
type B 6x7	5487	6	7	M3x6	57
type B 8x8	5104	8	8	M3x6	57
type B 10x10	5107	10	10	M4x10	57
type B 15x8	5526	15	8	M4x10	57
type B 15x15	5110	15	15	M4x13	57
type B 15x20	5113	15	20	M4x13	57
type B 18x8,5	5561	18	8,5	M6x15	57
type B 20x15	5116	20	15	M6x15	57
type B 20x20	5119	20	20	M6x15	57
type B 20x25	5122	20	25	M6x15	57
type B 25x10		25	10	M6x18	57
type B 25x15	5125	25	15	M6x18	57
type B 25x20	5128	25	20	M6x18	57
type B 25x30	5131	25	30	M6x18	57
type B 30x15	5568	30	15	M8x20	57
type B 30x20	5134	30	20	M8x20	57
type B 30x30	5137	30	30	M8x20	57
type B 40x30	5140	40	30	M8x23	57
type B 40x40	5143	40	40	M8x23	57
type B 50x20	5146	50	20	M10x28	57
type B 50x30	4149	50	30	M10x28	57
type B 50x40	4152	50	40	M10x28	57
type B 50x45	4155	50	45	M10x28	57
type B 50x50	5158	50	50	M10x28	57
type B 75x25	5485	75	25	M12x37	57
type B 75x40	5164	75	40	M12x37	57
type B 70x45	5161	70	45	M10x30	57
type B 75x50	5167	75	50	M12x37	57
type B 75x55	5170	75	55	M12x37	57
type B 100x40	5586	100	40	M16x45	57
type B 125x55	5173	125	55	M16x41	57
type B 125x60	5175	125	60	M16x45	57
type B 150x75	5178	150	75	M16x41	57

sample table in 57 shore, zinc-galvanized version - data on pressure-/ thrust load on request

rubber-metal bearing

type C

inner thread on both sides



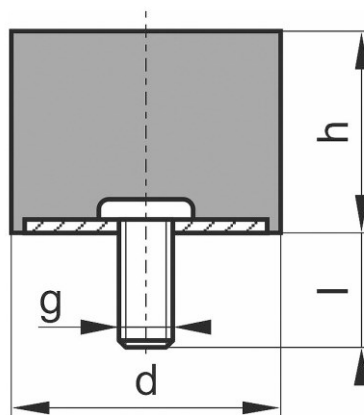
type		d	h	g	t	shore hardness
description	article number	mm	mm		mm	±5 shore
type C 8x8	5498	8	8	M3	3	57
type C 10x10	5184	10	10	M4	4	57
type C 15x10	5187	15	10	M4	4	57
type C 15x15	5189	15	15	M4	5	57
type C 15x20	5192	15	20	M4	5	57
type C 20x15	5195	20	15	M6	5	57
type C 20x20	5198	20	20	M6	5	57
type C 20x25	5201	20	25	M6	5	57
type C 20x30	5484	20	30	M5	5	57
type C 20x30	5572	20	30	M6	5	57
type C 25x15	5203	25	15	M6	5	57
type C 25x20	5209	25	20	M6	5	57
type C 25x25	5554	25	25	M6	5	57
type C 30x15	5215	30	15	M8	7	57
type C 30x20	5217	30	20	M8	7	57
type C 30x30	5220	30	30	M8	7	57
type C 40x30	5224	40	30	M8	7	57
type C 40x40	5227	40	40	M8	7	57
type C 50x20	5229	50	20	M8	7	57
type C 50x30	5231	50	30	M10	8	57
type C 50x40	5234	50	40	M10	8	57
type C 50x45	5237	50	45	M10	8	57
type C 50x50	5240	50	50	M10	8	57
type C 70x45	5243	70	45	M10	8	57
type C 75x30	5245	75	30	M12	10	57
type C 75x40	5247	75	40	M12	10	57
type C 75x50	5250	75	50	M12	10	57
type C 75x55	5253	75	55	M12	10	57
type C 100x40	5256	100	40	M16	14	57
type C 100x55	5259	100	55	M16	14	57
type C 100x60	5262	100	60	M16	14	57
type C 100x75	5265	100	75	M16	14	57
type C 125x55	5268	125	55	M16	14	57
type C 125x75	5271	125	75	M16	14	57
type C 150x60	5278	150	60	M16	14	57
type C 150x75	5278	150	75	M16	14	57
type C 200x100	5280	200	100	M16	18	57

sample table in 57 shore, zinc-galvanized version - data on pressure-/ thrust load on request

rubber-metal bearing

type D

outer thread on one side



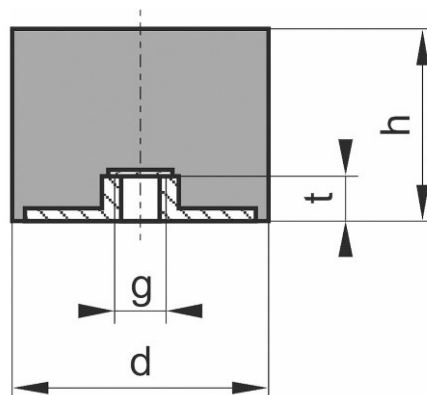
type					
	d	h	g x l	shore hardness	
description	article number	mm	mm	mm	±5 shore
type D 8x8	5682	8	8	M3x6	57
type D 10x8	5697	10	8	M4x10	57
type D 10x10	5476	10	10	M4x6	57
type D 10x15	5477	10	15	M4x10	57
type D 15x8	5285	15	8	M4x10	57
type D 15x13	5545	15	15	M4x13	57
type D 15x15	5288	15	15	M4x13	57
type D 20x10	5478	20	10	M6x18	57
type D 20x15	5293	20	15	M6x15	57
type D 20x20	5296	20	20	M6x15	57
type D 20x25	5301	20	25	M6x15	57
type D 25x15	5304	25	20	M6x18	57
type D 25x20	5304	25	20	M6x18	57
type D 25x25	5616	25	25	M8x23	57
type D 25x28	5493	25	28	M6x18	57
type D 25x30	5307	25	30	M6x18	57
type D 30x15	5309	30	15	M8x20	57
type D 30x20	5701	30	20	M8x13	57
type D 30x30	5315	30	30	M8x20	57
type D 40x25	5667	40	25	M10x28	57
type D 40x30	5506	40	30	M8x20	57
type D 40x30	5318	40	30	M8x23	57
type D 40x40	5602	40	40	M8x23	57
type D 50x20	5557	50	20	M10x28	57
type D 50x30	5555	50	30	M10x28	57
type D 50x40	5321	50	40	M10x28	57
type D 50x45	5323	50	45	M10x28	57
type D 50x50	5521	50	50	M10x28	57
type D 75x25	5326	75	25	M12x37	57
type D 75x25	5544	75	25	M12x47	57
type D 100x40	5329	100	40	M16x41	57
type D 100x40	5642	100	40	M16x45	57

sample table in 57 shore, zinc-galvanized version - data on pressure-/ thrust load on request

rubber-metal bearing

type E

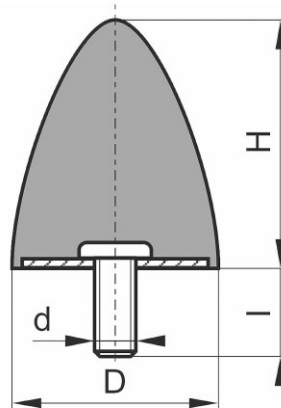
inner thread on one side



type		d	h	g	t	shore hardness
description	article number	mm	mm		mm	±5 shore
type E 10x10	5334	10	10	M4	4	57
type E 15x8	5337	15	8	M4	4	57
type E 15x15	5340	15	15	M4	4	57
type E 15x20	5342	15	20	M4	4	57
type E 20x13,5	4345	20	13,5	M6	6	57
type E 20x15	5347	20	15	M6	6	57
type E 20x20	5349	20	20	M6	6	57
type E 20x25	5351	20	25	M6	6	57
type E 25x10	5353	25	10	M6	6	57
type E 25x15	5356	25	15	M6	6	57
type E 25x17	5358	25	17	M6	6	57
type E 25x20	5360	25	20	M6	6	57
type E 25x20	5623	25	20	M8	8	57
type E 25x30	5363	25	30	M6	6	57
type E 25x30	5624	25	30	M8	8	57
type E 30x15	5366	30	15	M8	8	57
type E 30x20	5370	30	20	M8	8	57
type E 30x30	5373	30	30	M8	8	57
type E 40x30	5377	40	30	M8	8	57
type E 40x40	5379	40	40	M8	8	57
type E 50x21	5382	50	21	M10	10	57
type E 50x28	5384	50	28	M10	10	57
type E 50x30	5385	50	30	M10	10	57
type E 50x40	5387	50	40	M10	10	57
type E 50x45	5389	50	45	M10	10	57
type E 50x50	5392	50	50	M10	10	57
type E 70x45	5394	70	45	M10	10	57
type E 75x25	5397	75	25	M12	12	57
type E 75x40	5399	75	40	M12	12	57
type E 75x50	5402	75	50	M12	12	57
type E 75x55	5404	75	55	M12	12	57
type E 100x40	5406	100	40	M16	16	57
type E 100x55	5409	100	55	M16	16	57
type E 100x60	5411	100	60	M16	16	57
type E 100x75	5414	100	75	M16	16	57
type E 150x75	5419	150	75	M16	16	57
type E 200x100	5420	200	100	M16	16	57

sample table in 57 shore, zinc-galvanized version - data on pressure-/ thrust load on request

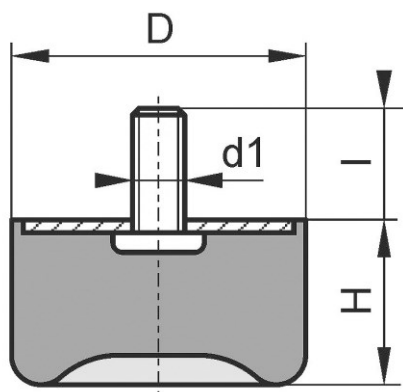
rubber-metal bearing type DP parabolic with outer thread



type					
		D	H	d x l	shore hardness
description	article number	mm	mm	mm	±5 shore
type DP 20x24	5456	20	24	M6x18	57
type DP 30x36	5459	30	36	M8x20	57
type DP 50x58	5461	50	58	M10x28	57
type DP 75x89	5464	75	89	M12x37	57
type DP 115x136	5467	115	136	M16x42	57

sample table in 57 shore, zinc-galvanized version - data on pressure-/ thrust load on request

rubber-metal bearing type DS with suction base and outer thread

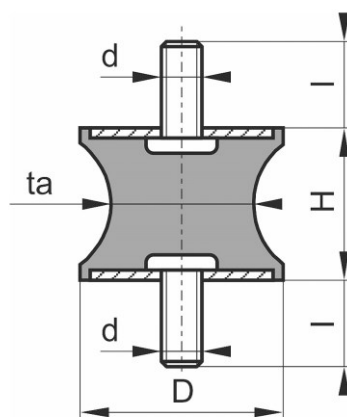


type					
		D	H	d1 x l	shore hardness
description	article number	mm	mm	mm	±5 shore
type DS 15x14	5437	15	14	M4x13	57
type DS 20x23,5	5438	20	23,5	M6x18	57
type DS 25x18,5	5440	25	18,5	M6x18	57
type DS 40x28	5444	40	28	M8x23	57
type DS 50x28	5445	50	28	M10x33	57
type DS 70x43	5447	70	43	M10x30	57
type DS 75x37	5449	75	37	M12x37	57
type DS 100x50	5452	100	50	M16x43	57

sample table in 57 shore, zinc-galvanized version - data on pressure-/ thrust load on request

rubber-metal bearing type AT

waist-shaped with outer thread on both sides

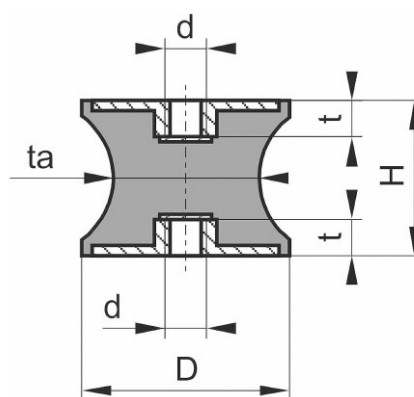


type		D	H	d x l	ta	shore hardness
description	article number	mm	mm			±5 shore
type AT 20x15	5503	20	15	M6x18	14	57
type AT 30x25	5519	30	20	M8x23	18	57
type AT 40x48	5529	40	48	M8x23	30	57
type AT 50x30	5427	50	30	M10x33	42	57
type AT 75x40	5429	75	40	M12x37		57

sample table in 57 shore, zinc-galvanized version - data on pressure-/ thrust load on request

rubber-metal bearing type CT

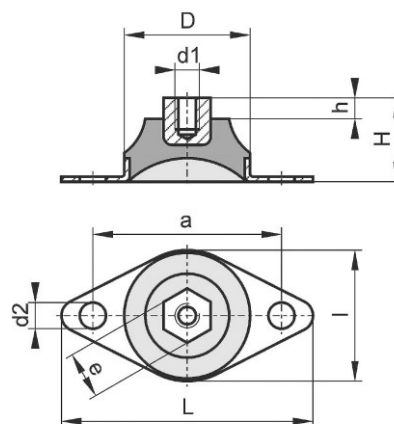
waist-shaped with inner thread on both sides



type		D	H	d x t	ta	shore hardness
description	article number	mm	mm			±5 shore
type CT 30x20	5432	30	20	M8x8	25	57
type CT 40x48	5721	40	48	M8x8	30	57
type CT 50x30	5434	50	30	M10x10	42	57
type CT 75x40	5436	75	40	M12x12		57

sample table in 57 shore, zinc-galvanized version - data on pressure-/ thrust load on request

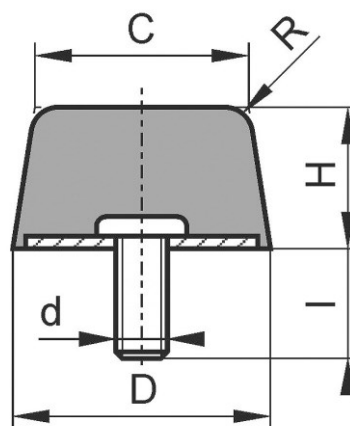
rubber-metal bearing cap-style type H1 with bolt-on option



type		L	l	H	D	d1	d2	e	shore hardness
description	article number	mm	mm	mm	mm		mm	SW	±5 shore
type H1 60x35x20/30	5729	60	35	20	30	M6	6	11	55
type H1 90x50x32/45	5730	90	50	32	45	M10	9	17	55
type H1 140x80x50/70	5731	140	80	50	70	M16	13	24	55

sample table in 55 shore, zinc-galvanized version - data on pressure-/ thrust load on request

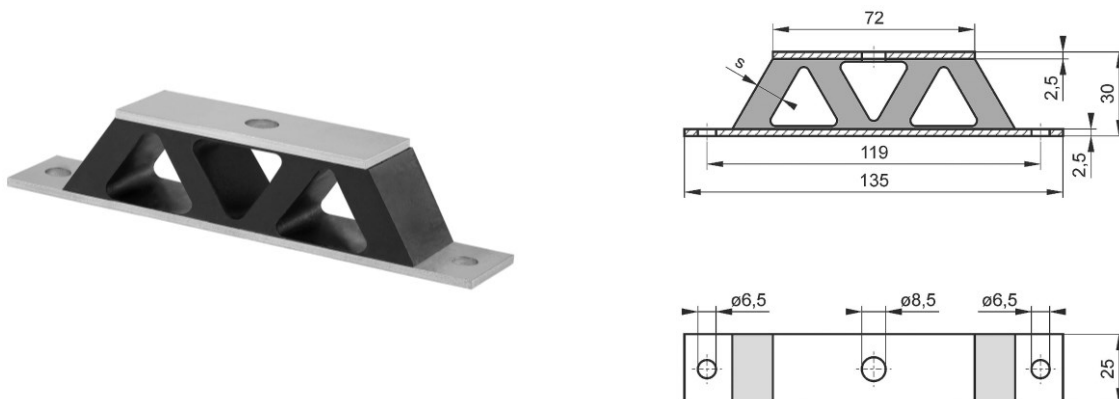
rubber-metal bearing type DK conical with outer thread



type		D	H	C	d	l	shore hardness
description	article number	mm	mm	mm		mm	±5 shore
type DK 25x17	5488	25	17	20	M6	18	57
type DK 50x30	5601	50	30	35	M10	28	57
type DK 80x30	5556	80	30	70	M12	37	57

sample table in 57 shore, zinc-galvanized version - data on pressure-/ thrust load on request

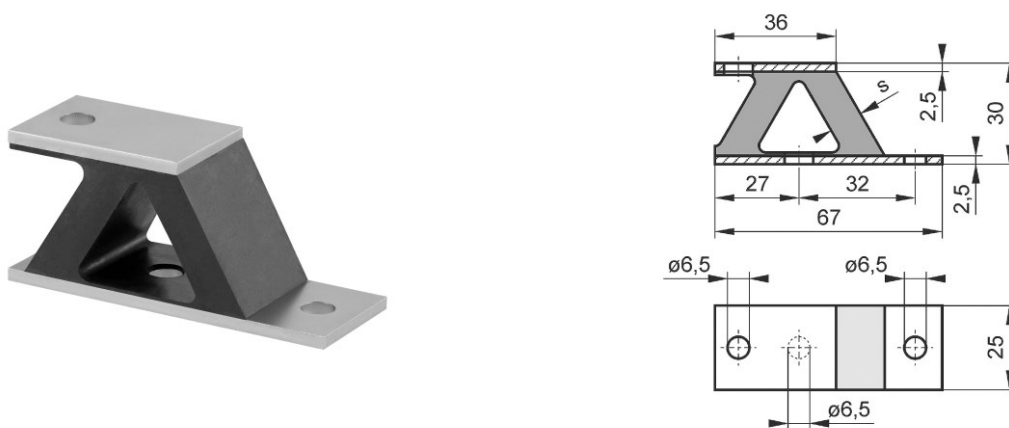
rubber-metal bearing type W



type		B	H	L	wall strength S	shore hardness
description	article number	mm	mm	mm	mm	±5 shore
type W 25x30x135/008	5723	25	30	135	8	55
type W 25x30x135/010	5733	25	30	135	10	55

available in various wall thickness- and shore hardness-qualities (40, 55 and 70 Shore) - kindly send Your inquiries
sample table in 55 shore, zinc-galvanized version - data on pressure-/ thrust load on request

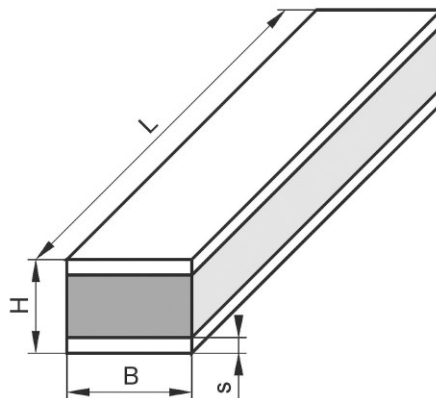
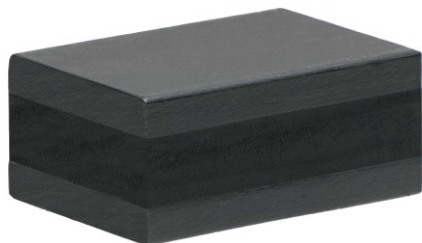
rubber-metal bearing type V



type		B	H	L	wall strength S	shore hardness
description	article number	mm	mm	mm	mm	±5 shore
type V 25x30x135/008	5734	25	30	67	8	60
type V 25x30x135/010	5735	25	30	135	10	57

available in various wall thickness- and shore hardness-qualities (40, 55 and 70 Shore) - kindly send Your inquiries
sample table in zinc-galvanized version - data on pressure-/ thrust load on request

rubber-metal bearing bar-style with metal plates on both sides



type		B	H	L	wall strength S	shore hardness
dimensions mm	article number	mm	mm	mm	mm	±5 shore
type LBM 40x30x1000/5	5020 0001	40	30	1000	5	55
type LBM 40x35x1000/8	5020 0002	40	35	1000	8	60
type LBM 40x35x1000/10	5020 0003	40	35	1000	10	55
type LBM 50x35x1000/10	5020 0004	50	35	1000	10	55
type LBM 50x40x1000/10	5020 0005	50	40	1000	10	57
type LBM 50x50x1000/10	5020 0006	50	50	1000	10	55
type LBM 70x30x1000/10	5020 0007	70	30	1000	10	55
type LBM 70x45x1000/10	5020 0008	70	45	1000	10	70
type LBM 70x60x1000/10	5020 0009	70	60	1000	10	60
type LBM 70x70x1000/10	5020 0010	70	70	1000	10	70
type LBM 80x50x1000/10	5020 0011	80	50	1000	10	57
type LBM 80x80x1000/10	5020 0012	80	80	1000	10	80
type LBM 100x40x1000/10	5020 0013	100	40	1000	10	55
type LBM 100x45x1000/15	5020 0014	100	45	1000	15	65
type LBM 100x70x1000/15	5020 0015	100	70	1000	15	55
type LBM 100x80x1000/15	5020 0016	100	80	1000	15	57
type LBM 100x90x1000/15	5020 0017	100	90	1000	15	55
type LBM 150x60x1000/15	5020 0018	150	60	1000	15	57
type LBM 150x65x1000/15	5020 0019	150	65	1000	15	60
type LBM 150x100x1000/10	5020 0020	150	100	1000	10	55
type LBM 200x100x1000/15	5020 0021	200	100	1000	15	55

sample table with 1000 mm bar length - data on pressure-/ thrust load on request

rubber material:

natural rubber / NR shore hardness 40 - 85

in steps of 5

metal parts: steel, lacquered in black

maximum length: 2000 mm

On request, bars can be shortened to size - we shall be happy to quote as per Your requirements.

optional:

various wall thicknesses depending on the size

in 3, 5, 8, 10 oder 15 mm thickness

special materials:

rubber (NBR, CR, EPDM, et.c)

metal (V2A, V4A, brass)

rubber-metal bearings

rubber-metal-elements are universally suitable vibro-mounts for motors, pumps, compressors, ventilators et.c.
designed for mechanical thrust- and pressure strain
available in 43, 57 and 68 shore A
materials: NR (natural rubber), metal parts zinc-galvanized
special elements in NBR (nitrile rubber), metal components made of stainless steel and/or electrically conductive on request

This brochure presents an excerpt from our rubber-metal-element standard delivery range. Due to the large variety of types, we shall gladly await Your inquiry with measurements.

Technical modifications subject to change! Any previous versions of this document are herewith null and void!